

# FG-ALS Alarm Locating System Unit

Product Datasheet

## General

The FG-ALS Alarm Location System is designed to be used with TTK two kinds of analogue sense cables: random FG-ECS, FG-ACS and pre-connected cables: FG-ECX, FG-ACX, to allow immediate detection of liquid (water, acid or base).

3 luminescent electro diodes and a LCD display on the front board indicate presence of power supply (green), leak detection (red) and cablebreak (yellow). In operation, the green diode is on.

In the event of liquid leak or default on the sense cable, Responses from the FG-ALS alarm unit:

- In the case of leak, an audible alarm is triggered, the red LED is switched on, the leak relay is activated; the LCD display on the alarm unit front board shows the distance in metres from the origin of the leak.
- In the case of cablebreak, an audible alarm is triggered, the yellow LED is switched on, the cablebreak relay is activated; no content on LCD display.

The "SOUND OFF" button on the front board allows manual acknowledgement of the audible alarm.

The red or yellow LED and corresponding relay remain activated as long as the fault persists – when this disappears, the LED goes out and the relay returns to its original normal status.



\*\*

## Description

### Features

- The FG-ALS unit is available in wall mounted version.
- The FG-ALS unit can control from 1 to 150 metres of sense cables, LED chains indicate the type of default (leak or cablebreak).
- 2 entirely configurable relays are available.
- RS485 serial link with MODBUS communication protocol for interfacing with BMS is available.
- 1 output is available.

### Benefits

- Pin-point localization for leak.
- Detect cablebreak fault – trigger alarm & indicator light.
- Compatible with existing monitoring systems.
- The FG-ALS unit is small, accurate and easy to use, is adapted for the small and medium surface.



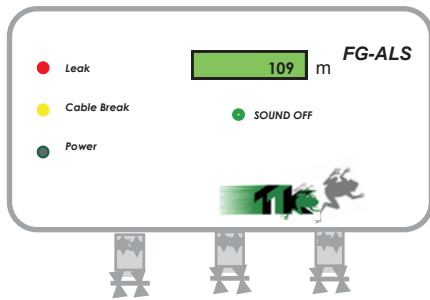
\*\*

## Technical Data

<b>Compatibility</b>	Analogue sense cables: FG-ECS, FG-ECX, FG-ACS, FG-ACX
<b>Box Type</b>	ABS Flame Retardant UL94VO
<b>Operating Temperature</b>	0°C to 50°C
<b>Serial Interface Physical Support</b>	Optoisolated Two Wire RS485
<b>Serial Link Parameters</b>	9600 Bauds, 8 Data Bits, 1 Stop, no Parity
<b>Supported Protocol</b>	Modbus, Functions 3 and 4
<b>Relays Type: Leak + Cable Break</b>	1 SPDT Single contact NO-NC
<b>Dry Relay Max. Switching Voltage</b>	125V AC and 60V DC
<b>Maximum Thermal Fuse</b>	2x0.1A on the Secondary
<b>Maximum Consumption</b>	2VA
<b>Nominal Voltage</b>	230 V—50/60Hz
<b>Dimensions (W,H,D)</b>	165x85x55 mm



## Panel Description



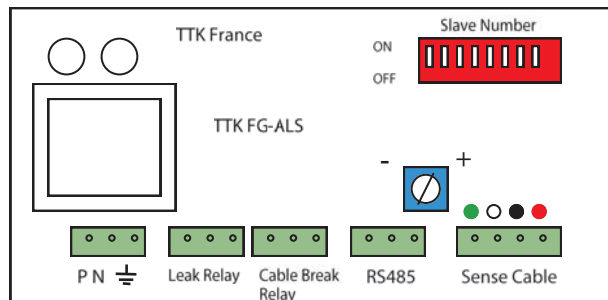
1. The leak signal (red diode goes on) indicates that the system has detected a liquid leak.
2. The continuity signal (yellow diode goes on) indicates that the system has detected a circuit interruption.
3. The power supply signal (green diode on) indicates that the system is in normal operation.
4. The button is used to stop the audible alarm triggered in case of fault.
5. The displays shows the location of the origin of the leak in meters

## Dimensions



FG-ALS Wall Mounted Unit  
\*\*

## Connector Description



## Technical Information

<b>Power supply 230-240VAC</b>	N : neutral
	P : phase
	⏏ : earth
<b>RS485</b>	R1 : COM
	R2 : RT+
	R3 : RT-
<b>Cable break Relay</b>	R1: NO
	R2: COM
	R3: NC
<b>Leak Relay</b>	R1 : NO
	R2 : COM
	R3 : NC
<b>FG-CLC Leader Cable</b>	A : Green wire
	B : White wire
	C : Black wire
	D : Red wire
<b>Potentiometer (in Blue Colour)</b>	P1 for adjusting sensitivity of detection

## Identification Codes

<b>FG-ALS (Wall Mounted)</b>	Alarm Location System Unit FG-ALS Fixed (wall mounted)
<b>Accessories:</b>	
<b>FG-CLX</b>	Leader Cable of 3,5 metres length
<b>FG-ECS or FG-ACS</b>	Water or Acids Sensing Cable in 3m, 7m, and 15m in length
<b>FG-TMX</b>	End Termination Plug
<b>CFE-100C</b>	100 hold-down clips with adhesive
<b>ES-40</b>	40 tags



All the connections in the FG-ALS alarm locating system unit must be done with the power supply switched off. Read carefully the installation procedure for the FG-ALS alarm locating system unit.

## Certificates



The FG-ALS unit meets the requirements of all European Standards in EN 50081 and EN 50082 EMC. FG-ALS meets the TÜV requirements, according to IEC 61010-1/A2.

This brochure has been carefully prepared to ensure technical accuracy but is only intended for promotional use. TTK UK Ltd. cannot guarantee that the information contained herein contains no errors or omissions, and hence does not accept responsibility related to the use of its equipment. TTK UK Ltd. maintain its obligations set forth in the Standard Terms and Conditions of Sale and will not, under any circumstances, assume liability for any incidental damages, indirect or consequential, arising from the sale, resale, use or misuse of this project. The purchaser(s) accept their responsibility as the sole judge(s) of the adaptability of the product for the intended use. FG-SYS and TOPSurveillance are trademarks of TTK S.A.S. © TTK 2010

\*Specifiacion is subject to change without prior notice.

\*\*Product image for reference only.